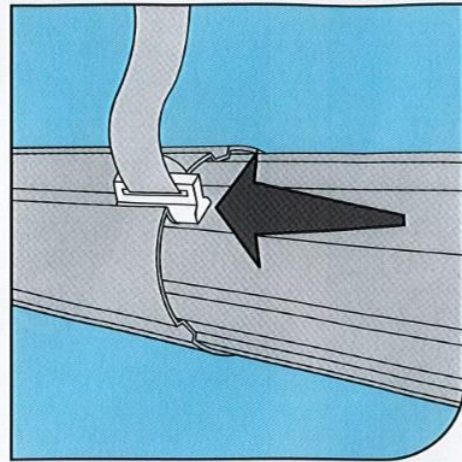
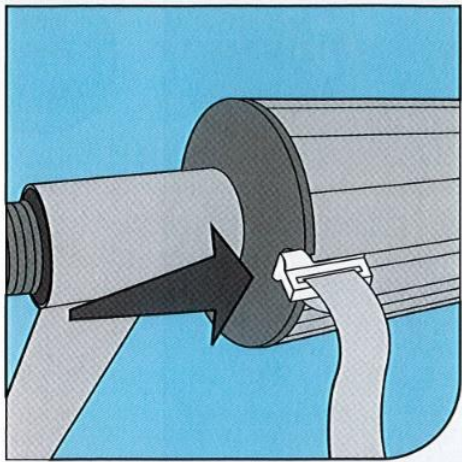
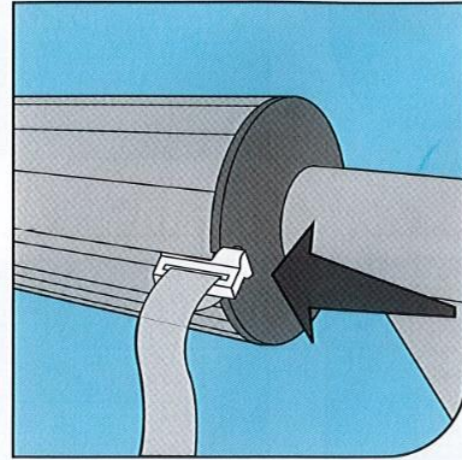
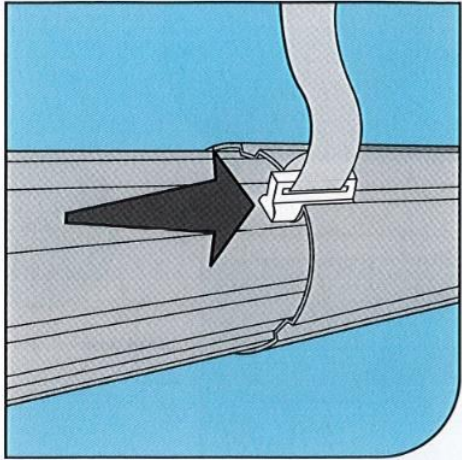


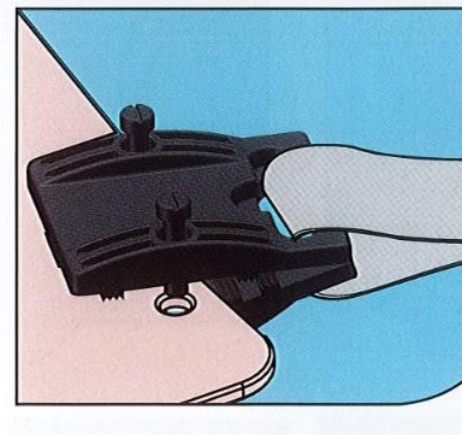
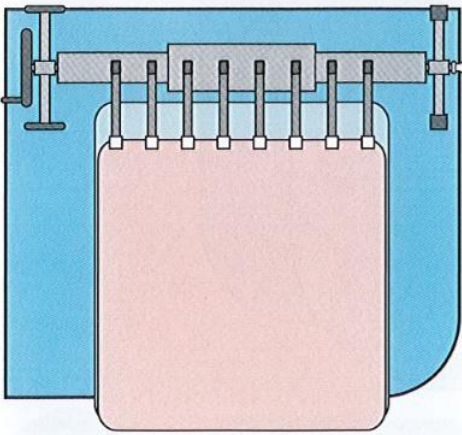
# SUNLINE ABOVE GROUND ROLLER INSTALLATION GUIDE



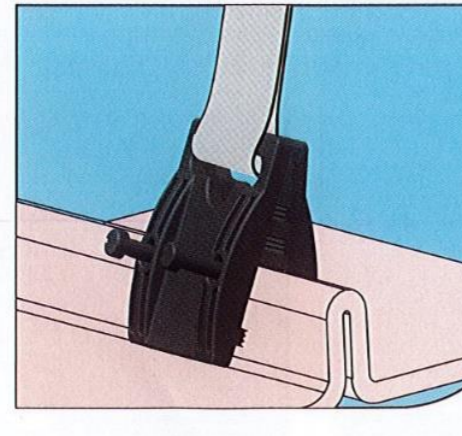
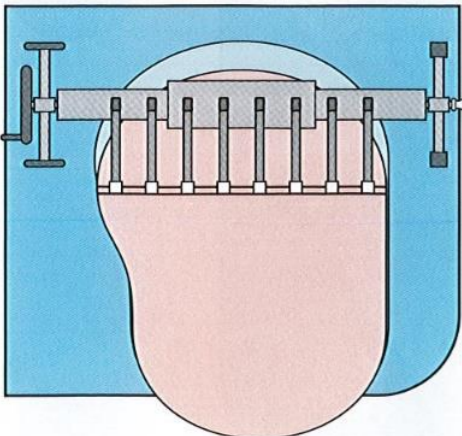
8



9

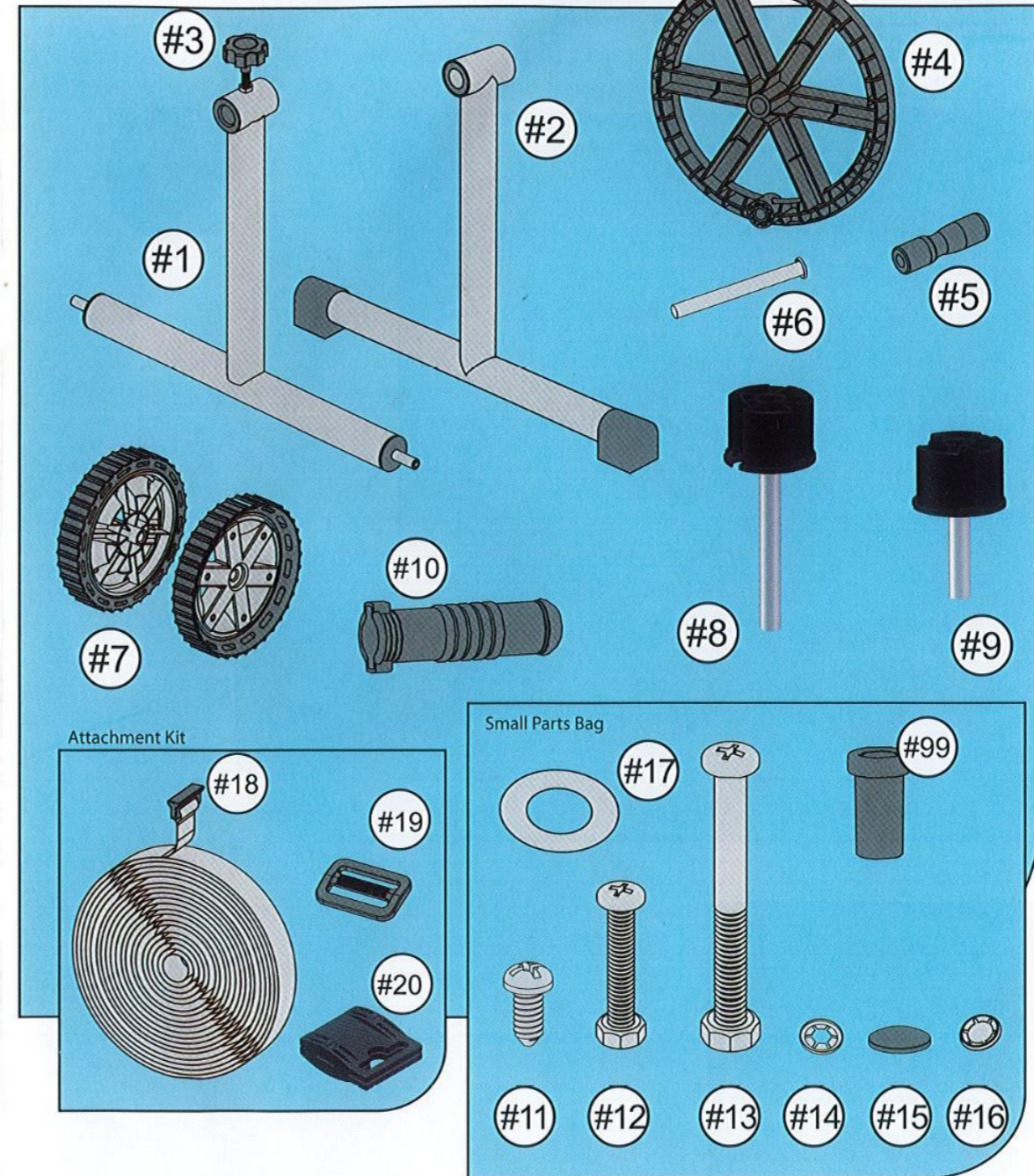


10a

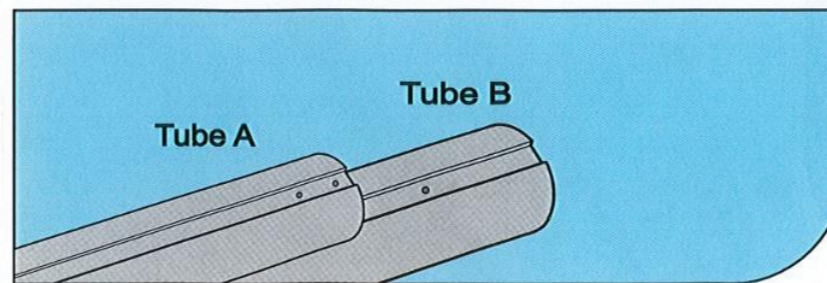


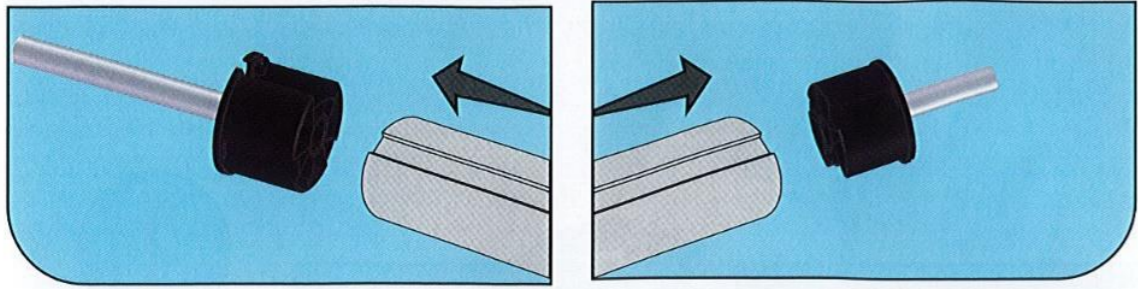
10b

1

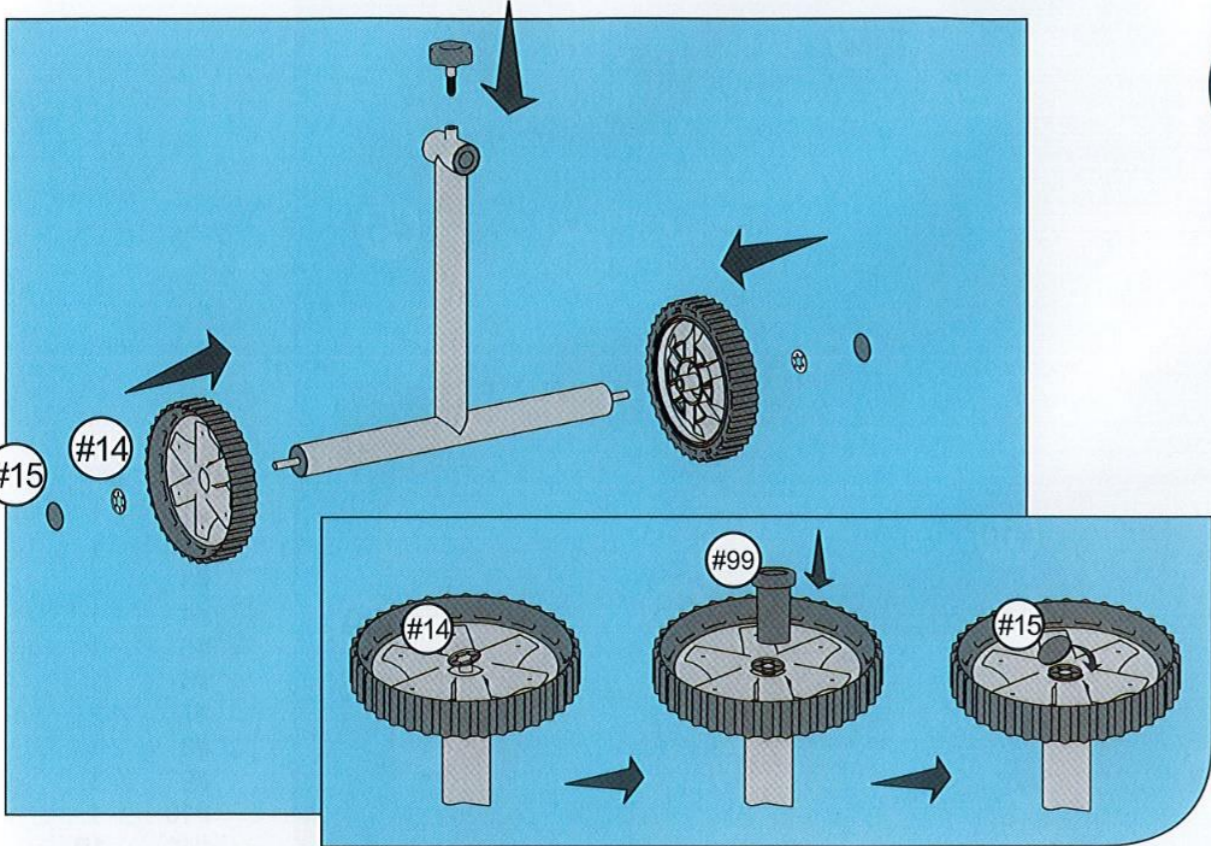


| Ref | Qty |
|-----|-----|
| #1  | 1   |
| #2  | 1   |
| #3  | 1   |
| #4  | 1   |
| #5  | 1   |
| #6  | 1   |
| #7  | 2   |
| #8  | 1   |
| #9  | 1   |
| #10 | 1   |
| #11 | 10  |
| #12 | 1   |
| #13 | 1   |
| #14 | 2   |
| #15 | 2   |
| #16 | 1   |
| #17 | 1   |
| #18 | 8   |
| #19 | 8   |
| #20 | 8   |
| #99 | 1   |

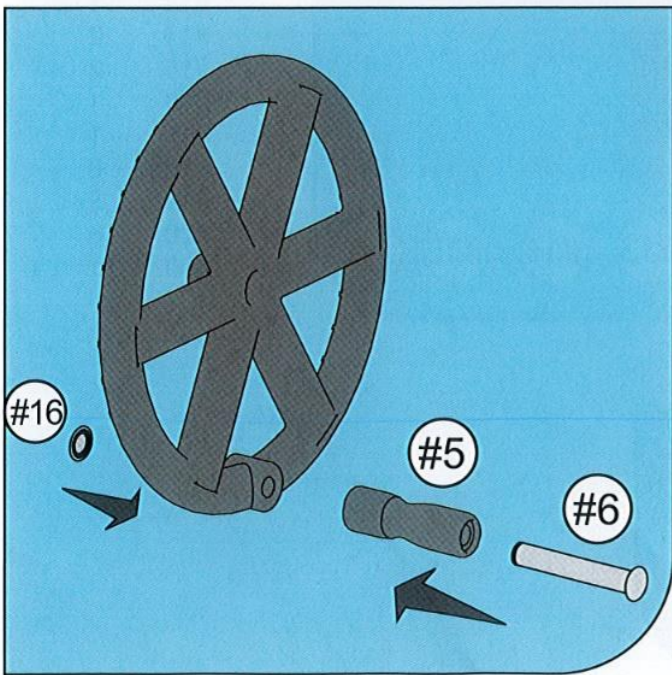




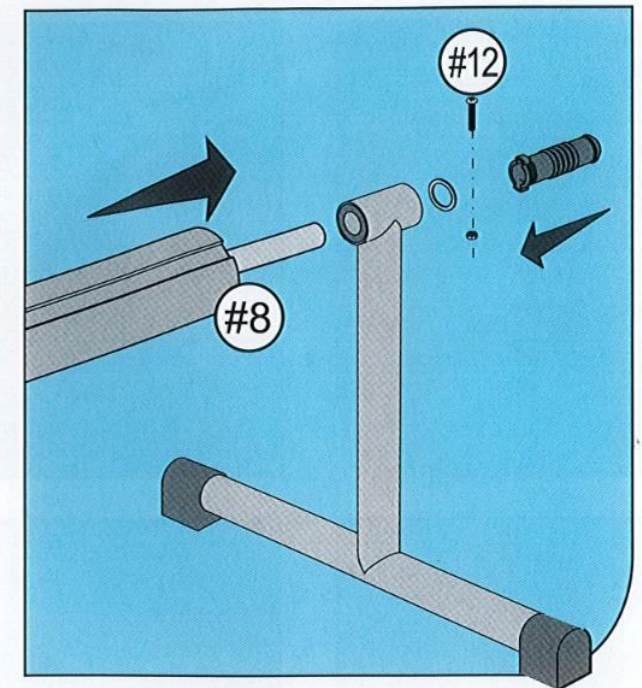
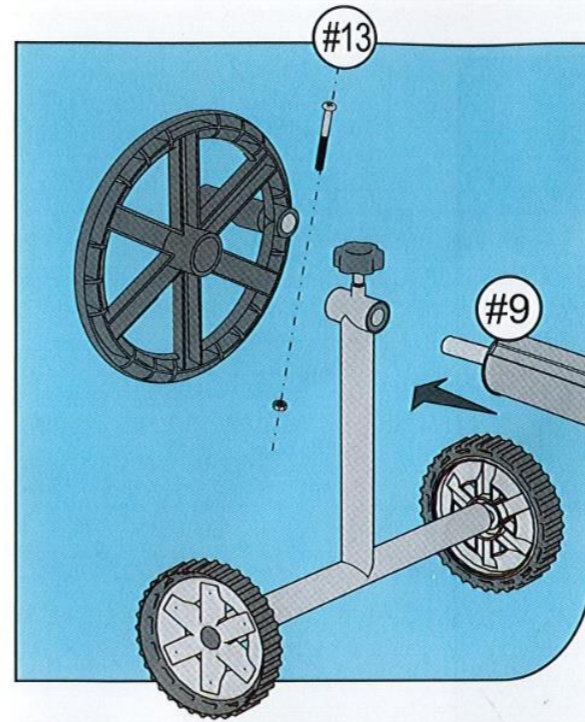
2



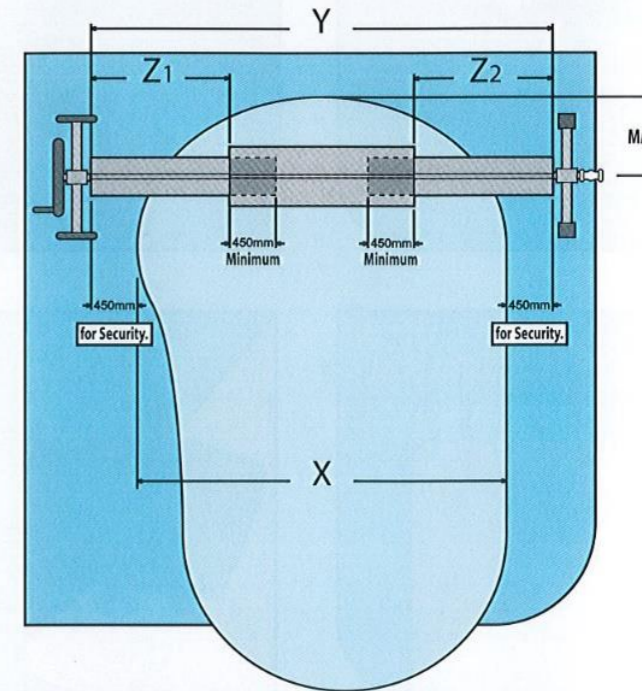
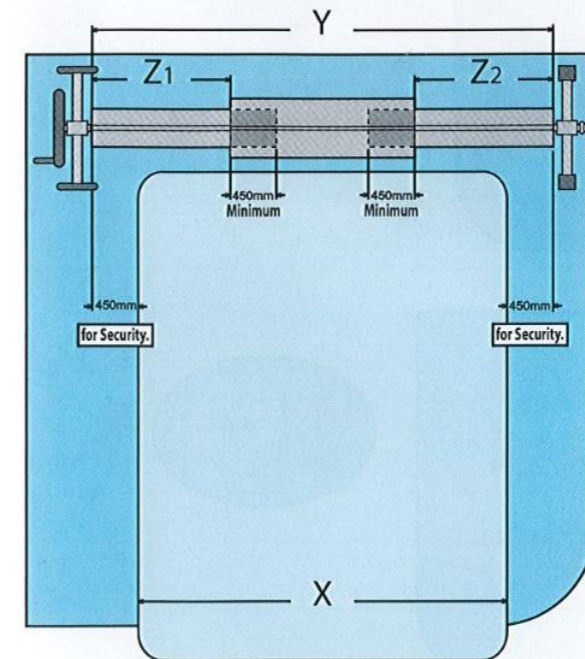
3



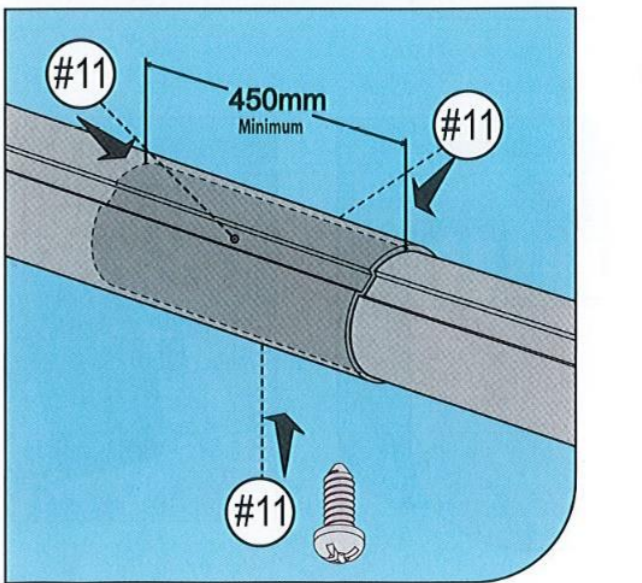
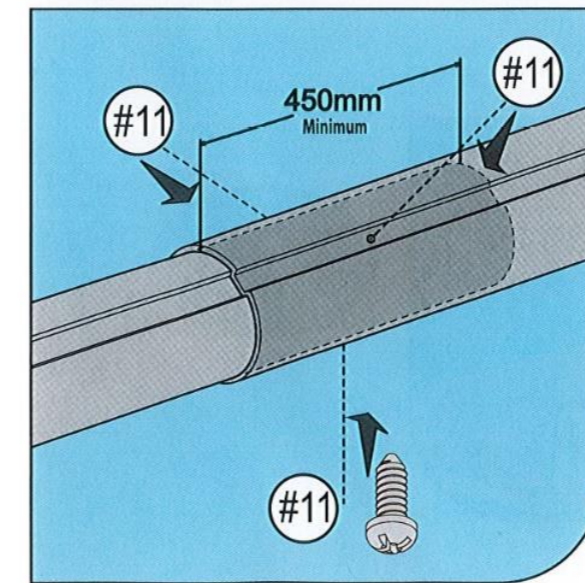
4



5



6



7