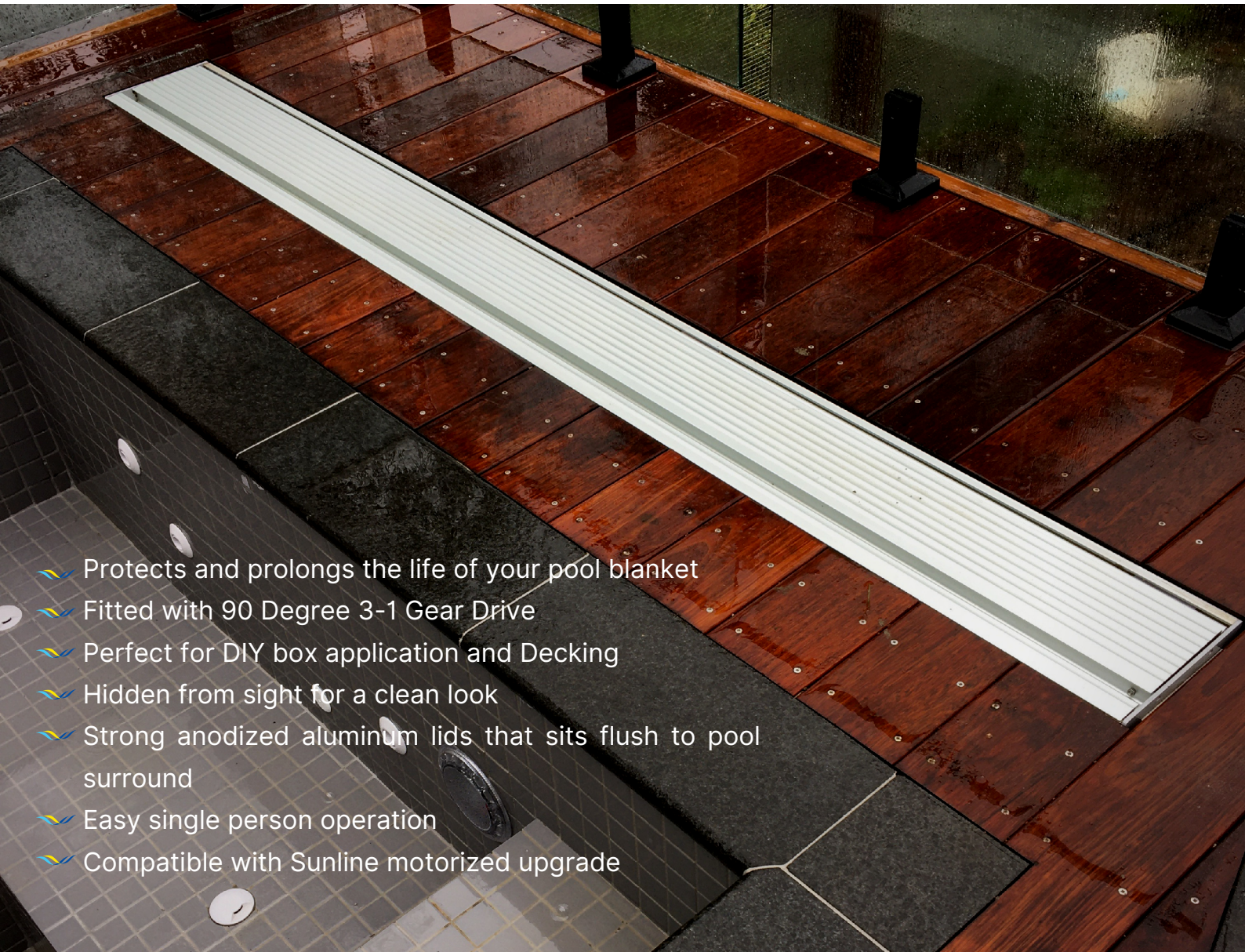




Sunline

A U S T R A L I A

- 
- ✔ Protects and prolongs the life of your pool blanket
 - ✔ Fitted with 90 Degree 3-1 Gear Drive
 - ✔ Perfect for DIY box application and Decking
 - ✔ Hidden from sight for a clean look
 - ✔ Strong anodized aluminum lids that sits flush to pool surround
 - ✔ Easy single person operation
 - ✔ Compatible with Sunline motorized upgrade

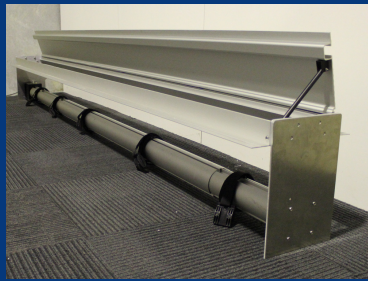
Sunline Australia's

DECK ROLLER

2.5m | 3m | 3.5m | 4m | 4.5m | 5m | 5.5 m



Strong quality components



Fitted to compliment your decking

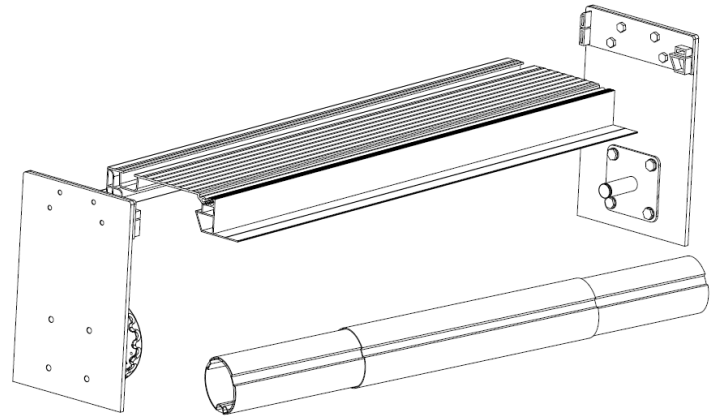
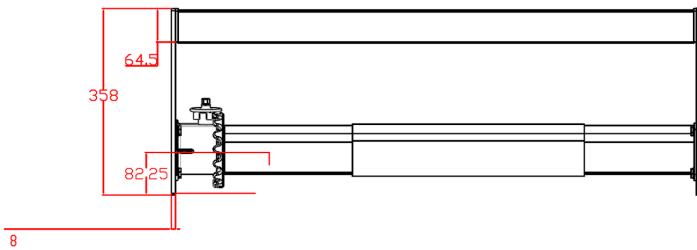


Smart and easy clamp system



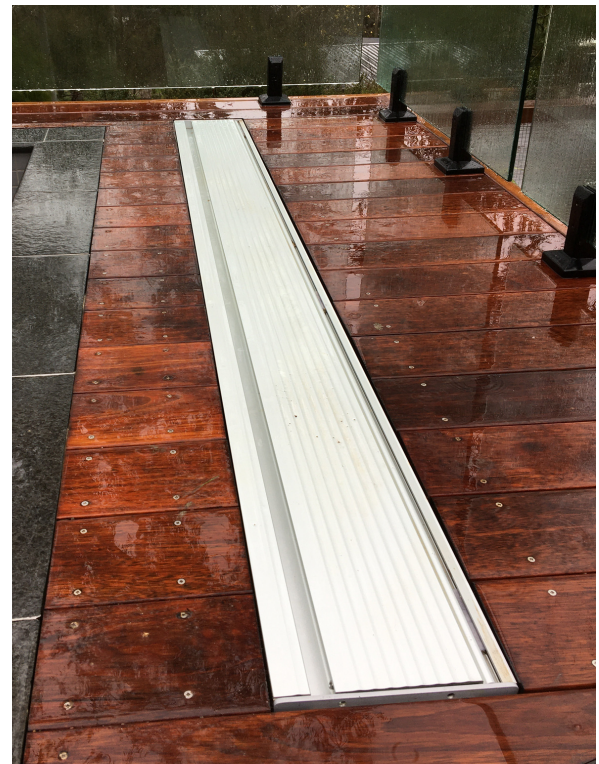
Geared quick wind mechanism

THE DIMENSIONS



The Sunline Deck/DIY Roller offers functional design while providing protection to your pool cover from harsh weather and UV rays. This Roller system is designed with long-lasting quality materials, that offers a great addition for your pool blanket and pool area.

The Sunline Deck/DIY Roller makes the most out of your pool area by neatly housing your pool cover and keeping it out of sight and hidden to give your new or existing pool area a clean and sophisticated look, adding much needed space around your pool.



<https://www.sunlineaustralia.com.au/>

VICTORIA

sales@sunlineaustralia.com.au
0393900700
27 Westwood Drive DEER PARK 3023

SOUTH AUSTRALIA

info@sunlinesa.com.au
Roger: 0419857987 | Bruce: 0412418824
152 Frederick Street WELLAND 5007

WESTERN AUSTRALIA

sales@sunlineaustralia.com.au
0893034347
Unit 2/ 10 Competition Way WANGARA 6065