



UNDERGROUND POOL BLANKET BOX

Invisibility | Safety | Quality

THE SUNLINE UNDERGROUND POOL BLANKET BOX IS AN INNOVATIVE DESIGN THAT NEATLY HOUSES YOUR POOL BLANKET.



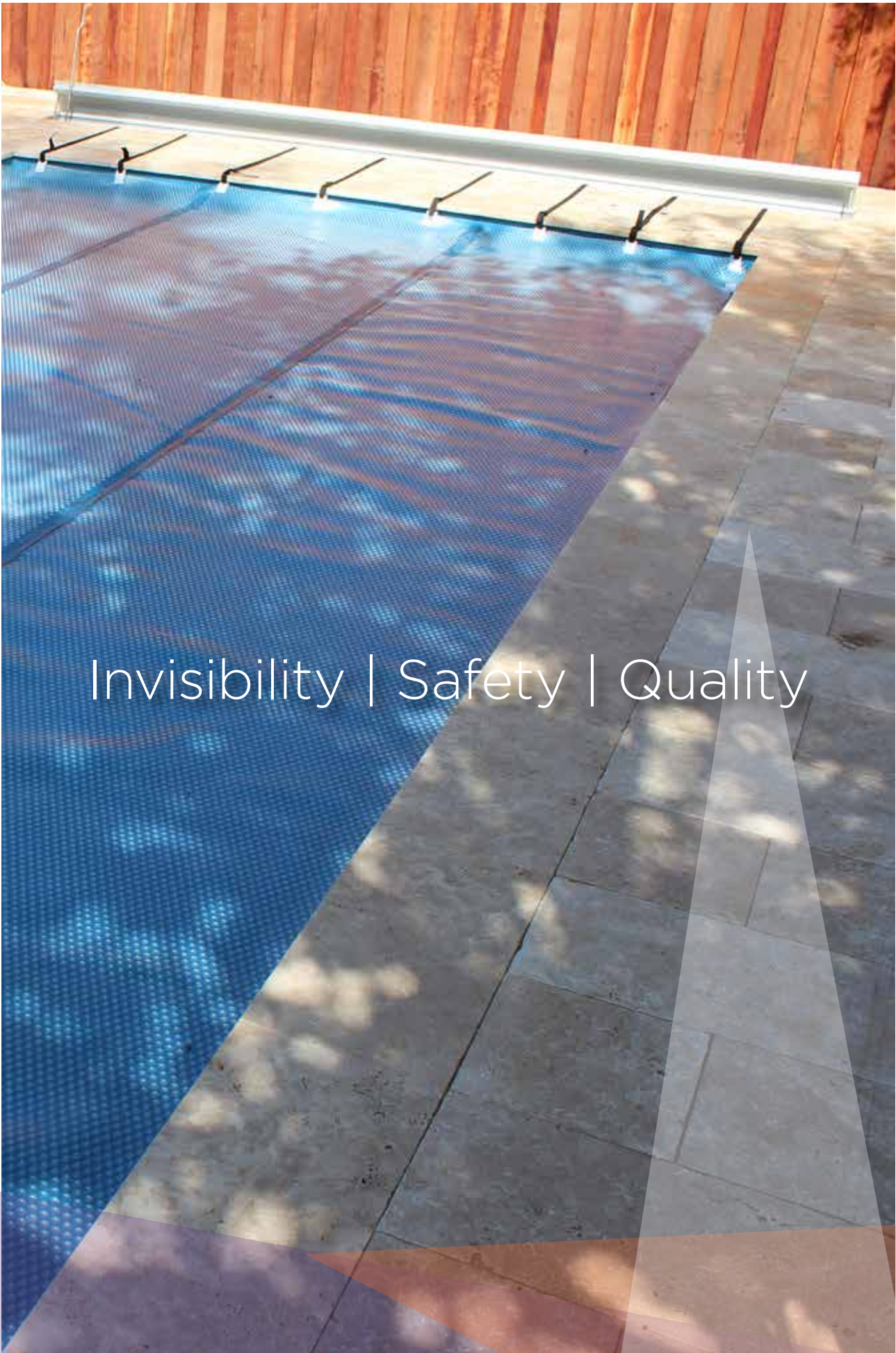
The Sunline Underground Pool Blanket Box is an innovative design that neatly houses your pool blanket.

Sunline's Underground Pool Blanket Box is a great addition to any new or existing swimming pool area. Once installed, it provides you with an aesthetically pleasing place to relax and entertain.

Sunline has designed a contemporary product that's manufactured from robust structural PVC. Quality assured, its multitude of features are:

- The anodised aluminium lid that sits flush to your decking or paving.
- The internal mechanisms have been strategically selected to prevent rust or corrosion and promote durability and sustainability.
- It's compact internal mechanism allows your pool blanket to be stored and protected from UV rays and harsh weather.
- The blanket box handle has its own built in perch to allow easy access, as well as to prevent loss.
- Plus it's also been functionally designed for one person operation.
- They come in a variety of sizes, so we can accommodate any shape pool: 3 metres | 3.5 meters | 4 meters | 4.5 meters | 5 meters | 5.5 meters

Sunline also provide an installation service so call us today for a quote!
Visit us at www.sunlineaustralia.com.au



Invisibility | Safety | Quality

QUALITY FITTINGS

Sunline's blanket box fittings have been specifically selected due to their quality, strength and durability.



SLAM RESISTANT

A stainless steel spring props the lid open, which prevents it shutting. Leaving your hands free to extend or retract the pool blanket at your convenience.



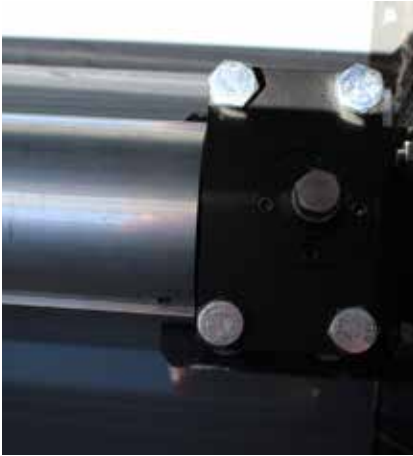
RIGID DESIGN

The unique aluminium, stainless steel and PVC construction, safeguards the underground blanket box from rust and corrosion.

DURABLE LID

Tested in an array of weather conditions, the Sunline blanket box lid is rust and corrosion resistant. It can also withstand up to 130kg of weight.





SEALED BEARINGS

Because the gear box bearings are a sealed unit, they stop any contaminants such as sand, water or debris from entering the unit, thus giving it superior longevity.



HANDLE STORAGE

Keep your winder/handle safely stored away inside the blanket box for immediate convenience and also to prevent loss.



PROFESSIONALLY INSTALLED

Superb workmanship from qualified tradesmen that are efficient, friendly with excellent product knowledge and customer service.

WARRANTY

Sunline underground pool blanket boxes are covered by a comprehensive warranty*

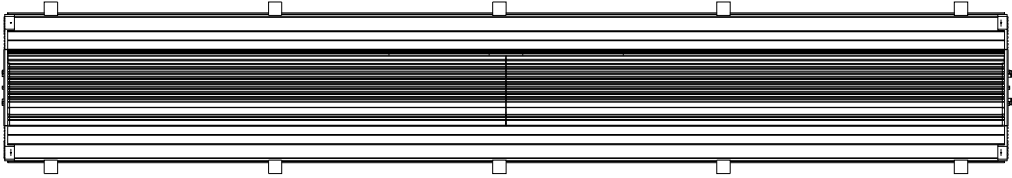
Please see the website for up to date information

*Terms and conditions apply.

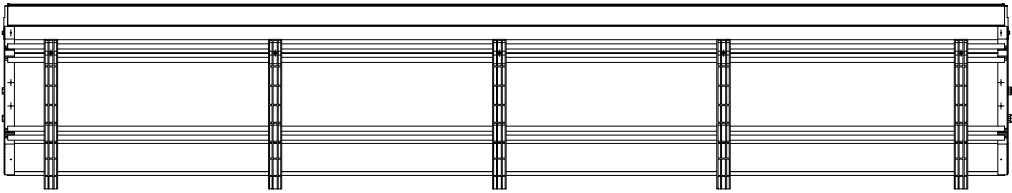


DIMENSIONS

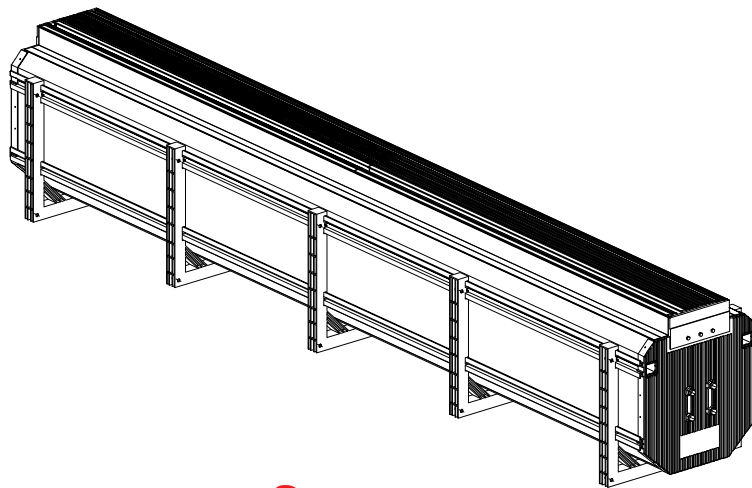
TOP VIEW



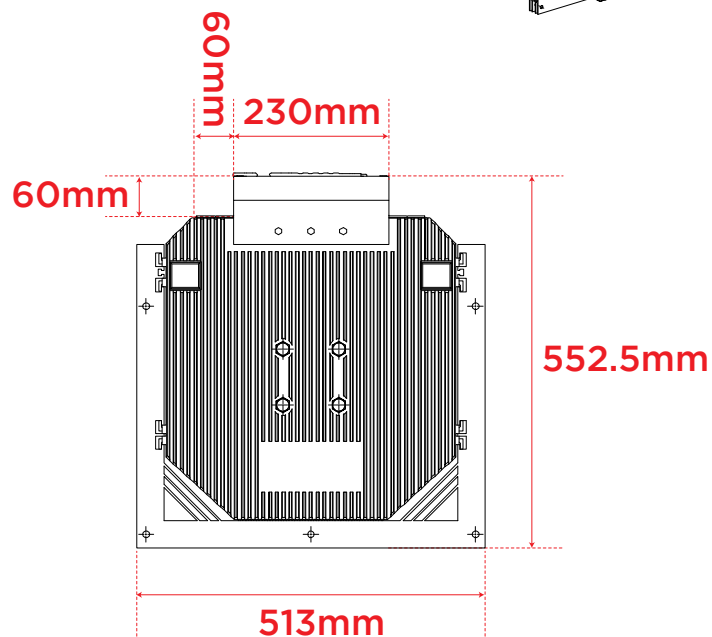
SIDE VIEW



3D VIEW



END VIEW







Invisibility | Safety | Quality



CONTACT US

MELBOURNE

Address: 27 Westwood Drive, Deer Park, Vic 3023
Phone: (03) 9390 0700
Email: sales@sunlineaustralia.com.au
Web: www.sunlineaustralia.com.au

ADELAIDE

Address: 152 Frederick St, Welland SA 5007
Phone: 0419 857 987
Email: info@sunlinesa.com.au
Web: www.sunlineaustralia.com.au

PERTH

Address: Unit 2, 10 Competition Way, Wangara WA 6065
Ph: (08) 9303 4347
Email: info@sunlinewa.com.au
Web: www.sunlineaustralia.com.au

 [sunline_australia](https://www.instagram.com/sunline_australia)  [sunline australia](https://plus.google.com/+sunlineaustralia)  [sunlineaustralia](https://www.facebook.com/sunlineaustralia)

Sunline Australia (SA) does not represent or warrant that the information accessible via this publication is accurate, complete or current. Price and availability information are subject to change without notice. © Copyright 2016 SA. All rights are reserved.