



GLASS FENCING

See the pool and not the fence



FRAMELESS FENCING



12mm fully frameless glass fencing is the ultimate for your backyard, providing a clear view to your swimming pool or entertainment area. Most importantly, frameless fencing provides greater security for your family and friends.

- Glass is heatsoaked: Reduces the risk of spontaneous breakage
- 12mm thick x 1200mm high toughened glass
- Glass gate 800mm wide x 8mm thick fitted with self closing child proof latch
- All glass stamped with Australian Approval number AS2208T / Grade A
- Stainless steel duplex 225 or anodised finish round or square spigots
- All spigots core drilled for the perfect finish or with base plates for simple mounting on decking

Visit us at www.sunlineaustralia.com.au



SEMI - FRAMELESS FENCING

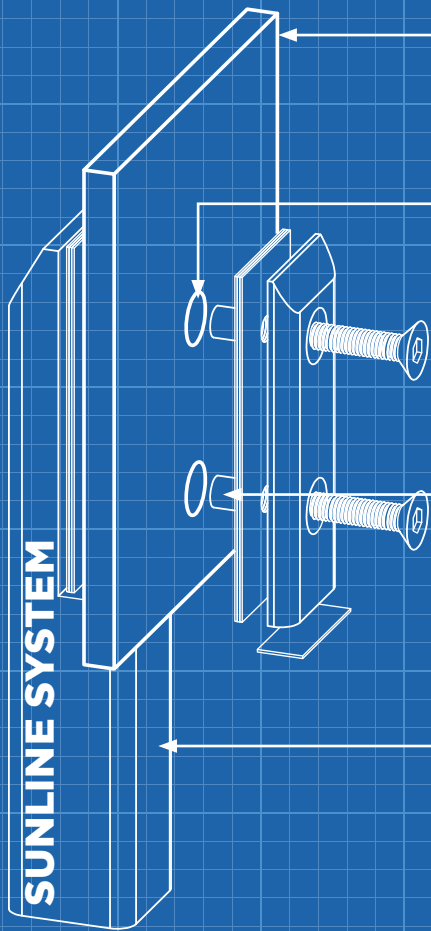


Semi frameless fencing is a easy cost effective solution to enclose the boundry of your pool or spa. 10mm glass ensures the stability of your fence and gives you a great look with no top or bottom railing.

- Glass is heatsoaked: Reduces the risk of spontaneous breakage
- 10mm thick x 1200mm high toughened glass
- Glass gate 800mm wide x 8mm thick fitted with self closing child proof latch
- Semi frameless glass fence installed with round or square 50mm aluminium posts
- Posts can be powder coated to the colour of your choice
- All glass stamped with Australian Approval number AS2208T / Grade A
- Posts core drilled into surface for a neat finish
- Only available in WA

Visit us at www.sunlineaustralia.com.au





TOUGHENED GLASS

✓ 12mm glass stamped with Australian Approval number AS2208T / Grade A

DRILLED GLASS

✓ Because Sunline spigots are cross drilled through the glass they require less maintenance than a friction based system. Once tightened, it provides better glass grip so that over time it wont require constant retightening.

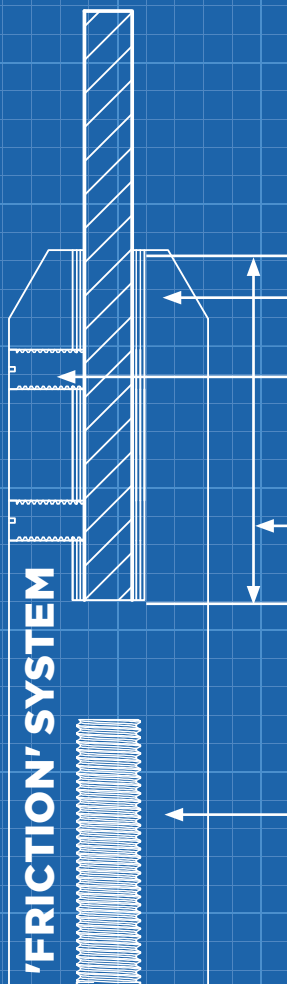
BOLT SLEEVE

✓ These rubber items sleeve over the bolt and in between the drilled holes in the glass to create a super tight fit. This will prevent any chance the glass will shatter on the bolt.

LONG SPIGOTS

✓ This has the advantage of a stronger foundation when the spigots are in the footing.

Available in aluminium or 316L Stainless Steel



BOLT SLIP

✗ With this arrangement, the grub screws (not bolts) press onto the glass to stop it from moving.

SPLAYED SPIGOTS

✗ If tightened up too much the spigots can bend and distort which will cause movement of the glass.

LESS CLAMPING FORCE

✗ Because of the distance from the top of the spigot down to the bottom of the glass. The friction based system has less clamping force than a Sunline spigot.

SHORT SPIGOTS

✗ Shorter spigots mean less spigot material sunk into the footings. Ultimately this is less stable than the Sunline Spigot system.





Invisibility | Versatility | Safety



CONTACT US

MELBOURNE

Address: 27 Westwood Drive, Deer Park, Vic 3023
Phone: (03) 9390 0700
Email: sales@sunlineaustralia.com.au
Web: www.sunlineaustralia.com.au

ADELAIDE

Address: 152 Frederick St, Welland SA 5007
Phone: 0419 857 987
Email: info@sunlinesa.com.au
Web: www.sunlineaustralia.com.au

PERTH

Address: Unit 2, 10 Competition Way, Wangara WA 6065
Ph: (08) 9303 4347
Email: info@sunlinewa.com.au
Web: www.sunlineaustralia.com.au