



GLASS FENCING

Invisibility | Versatility | Safety

FRAMELESS FENCING



12mm fully frameless glass fencing is the ultimate for your backyard, providing a clear view to your swimming pool or entertainment area. Most importantly, frameless fencing provides greater security for your family and friends.

- 12mm thick x 1200mm high toughened glass
- Glass gate 800mm wide x 8mm thick fitted with self closing child proof latch
- All glass stamped with Australian Approval number AS2208T / Grade A
- Stainless steel duplex 225 or anodised finish round or square spigots
- All spigots core drilled for the perfect finish or with base plates for simple mounting on decking

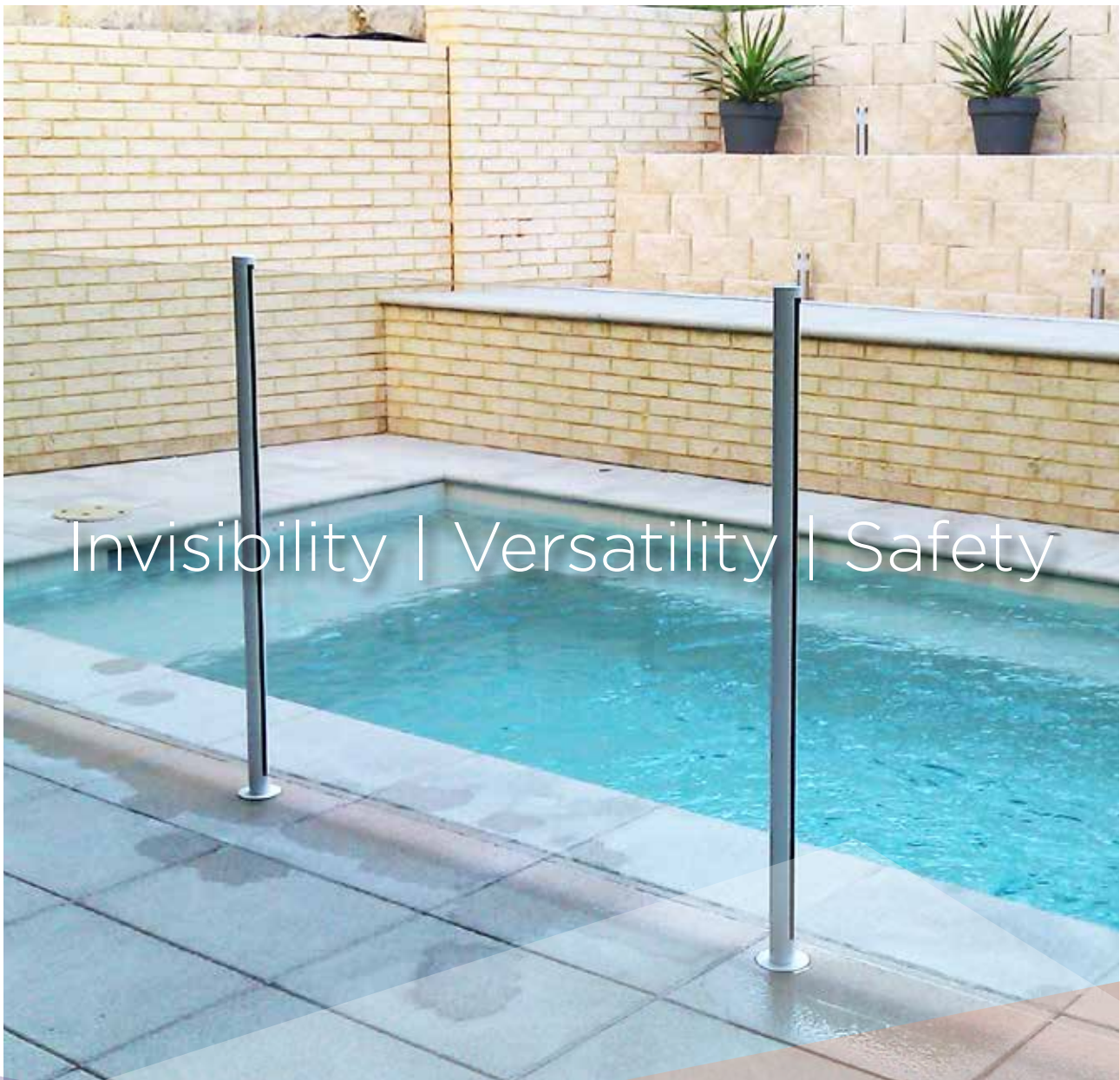


SEMI - FRAMELESS FENCING



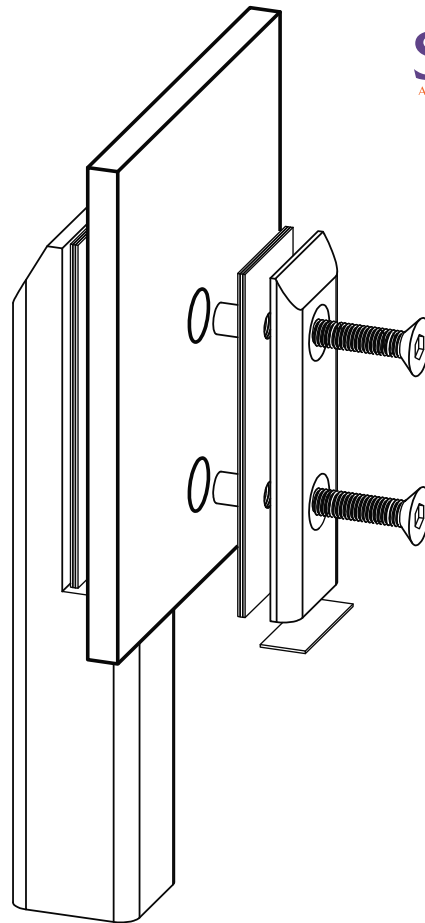
Semi frameless fencing is a easy cost effective solution to enclose the boundry of your pool or spa. 10mm glass ensures the stability of your fence and gives you a great look with no top or bottom railing.

- 10mm thick x 1200mm high toughened glass
- Glass gate 800mm wide x 8mm thick fitted with self closing child proof latch
- Semi frameless glass fence installed with round or square 50mm aluminium posts
- Posts can be powder coated to the colour of your choice
- All glass stamped with Australian Approval number AS2208T / Grade A
- Posts core drilled into surface for a neat finish
- **Only available in WA**



EXCEPTIONAL SPIGOTS

The Sunline Stainless steel and aluminium spigots are designed with a bolting placement system, that enables a pre-drilled piece of glass to be bolted securely in place.



SUPERIOR GROUT

Using only the best money can buy, Sunline uses this industrial grade grout so your fence is as rigid as the day it's installed.

AUSTRALIAN STANDARD

All Glass individually stamped with Australian Approval number AS2208T/Grade A



QUALITY LATCHES AND HINGES

Sunline will provide you with the highest quality hinge and latch system. This ensures Sunline conform to their strict quality control standards and it also provides you with the best suited components for the Sunline glass fencing.



PROFESSIONALLY INSTALLED

Superb workmanship from qualified tradesmen that are efficient, friendly with excellent product knowledge and customer service.

WARRANTY

Sunline frameless and semi frameless glass fencing products, are covered by a comprehensive warranty*

Please see the website for up to date information

*terms and conditions apply.



FENCE PLANNER



Use this guide to draw your fence around your pool. 1 centimeter = 1 metre.



DID YOU KNOW?

Sunline also do other products such as



- Underground blanket boxes
- Pool blankets
- Pool lights

Contact us now to find out more





Invisibility | Versatility | Safety



CONTACT US

MELBOURNE

Address: 27 Westwood Drive, Deer Park, Vic 3023
Phone: (03) 9390 0700
Email: sales@sunlineaustralia.com.au
Web: www.sunlineaustralia.com.au

ADELAIDE

Address: 152 Frederick St, Welland SA 5007
Phone: 0419 857 987
Email: info@sunlinesa.com.au
Web: www.sunlineaustralia.com.au

PERTH

Address: Unit 2, 10 Competition Way, Wangara WA 6065
Ph: (08) 9303 4347
Email: info@sunlinewa.com.au
Web: www.sunlineaustralia.com.au

 [sunline_australia](#)  [sunline australia](#)  [sunlineaustralia](#)

Sunline Australia (SA) does not represent or warrant that the information accessible via this publication is accurate, complete or current. Price and availability information are subject to change without notice. © Copyright 2016 SA. All rights are reserved.